

ROOFTOP PACKAGE UNIT



PHANTOM JRS LOW NOISE SERIES
50/60HZ - R410A



INNOVATION | DESIGN | SUSTAINABILITY

Main Features

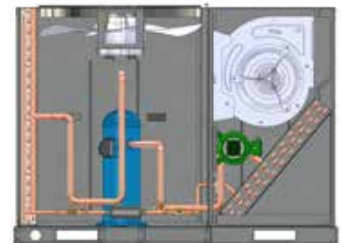
.....

- Outstanding Reliability.
- Durable Construction.
- Fixed Pulley.
- New Fan Duct Design.
- Excellent Efficiency.
- Precise Compressor Control.
- Compressor duty rotation where more than one compressors are installed.
- Low voltage connections.
- Design flexibility, easy to install.
- Easy drainage of condensate water / rain water.
- Easy access doors.
- System self diagnostic.

Standard Features

.....

- 1- High efficiency and high reliability scroll compressor.
- 2- Casing - Colored G90 galvanized heavy gauge plate conforming to ASTM A 653.
- 3- Copper tube with aluminum fin heat-exchanger.
- 4- Indoor fan overload relay for current protection.
- 5- Compressor current protection.
- 6- Thermostat.
- 7- Forward curved design blower wheels.
- 8- Thermal expansion valve.
- 9- Fresh air intake handling.



External appearance

JRS 08, 10, 12, 15



JRS 20, 25, 30



Tropical Application

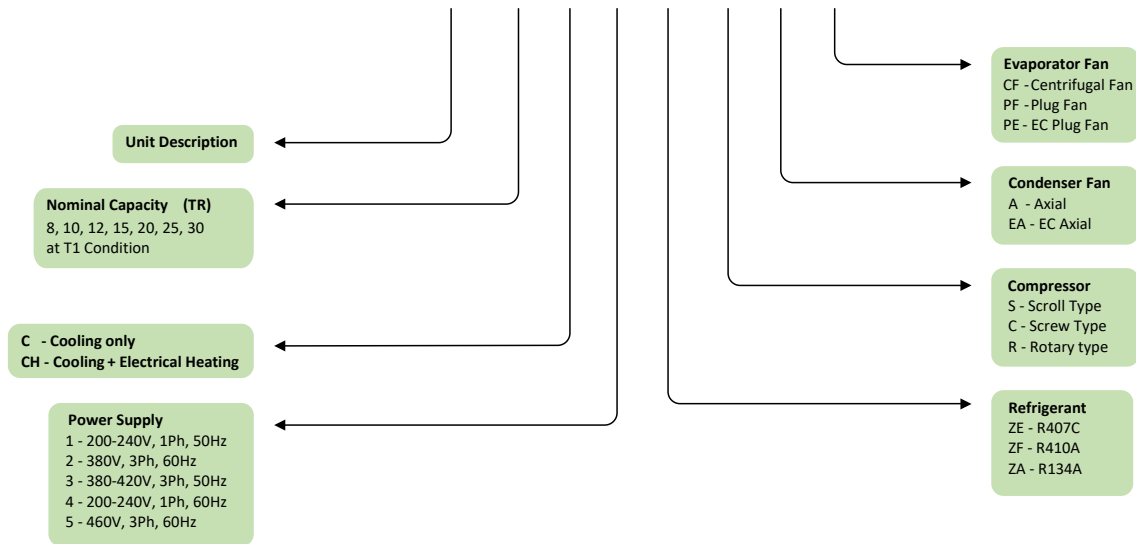
Cooling only

50 Hz Series

Model		JRS-8C3ZF-SACF	JRS-10C3ZF-SACF	JRS-12C3ZF-SACF	JRS-15C3ZF-SACF	JRS-20C3ZF-SACF	JRS-25C3ZF-SACF	JRS-30C3ZF-SACF	
Power Supply		380~415V,3Ph,50Hz							
Cooling	Cooling Capacity (1) T1	Btu/h	95779	114170	143173	173644	233391	303851	343261
		kW	28.07	33.46	41.96	50.89	68.40	89.05	100.60
	Power Input (1)	kW	8.5	9.89	15.52	15.75	19.9	26.7	31.6
	Nominal Capacity	TR	8.0	9.5	11.93	14.47	19.4	25.3	28.6
	EER 1	Btu/h/W	11.3	11.5	9.23	11.03	11.7	11.4	10.9
	Cooling Capacity (2) T3	Btu/h	84928	100215	125226	154536	205274	269218	305626
		kW	24.89	29.37	36.70	45.29	60.2	78.9	89.6
	Power Input (2)	kW	10.3	11.84	17.9	19.4	24.1	31.7	36.7
EER 2	Btu/h/W	8.2	8.46	7.0	8.0	8.5	8.5	8.3	
Performance	Evaporator Fan Air Flow	CFM	3500	3800	5000	6000	8000	9000	10000
	ESP	Pa	75	85	100	100	110	125	150
Evaporator Coil	Copper Tube / Aluminum Fins								
Evaporator fan	Type	Forward Curved Centrifugal							
	Quantity	1							
	Drive type	Belt							
	Motors quantity	1							
Compressor	Type	Scroll							
	Quantity	1			2				
	Brand	Danfoss / Copeland							
Condenser Coil	Copper Tube / Aluminum Fins								
Condenser Fan	Type	Axial							
	Quantity	1			2				
	Drive type	Direct							
	Motors quantity	1			2				
Refrigerant	Type	R410A							
	Refrigerant Control	TXV							
Net weight(KG)	kg	440	537	550	760	585	1035	1185	

NOMENCLATURE

JRS 8 C 3 ZF S A CF



Tropical Application

Cooling only

60 Hz Series

Model		JRS-8C2ZF-SACF	JRS-10C2ZF-SACF	JRS-12C2ZF-SACF	JRS-15C2ZF-SACF	JRS-20C2ZF-SACF	JRS-25C2ZF-SACF	JRS-30C2ZF-SACF	
Power Supply		V,Ph,Hz	380V,3Ph,60Hz						
Cooling	Cooling Capacity (1) T1	Btu/h	97690	119152	137578	180639	245879	320230	356739
		kW	28.63	34.92	40.32	52.94	72.06	93.85	104.55
	Power Input (1)	kW	9.1	10.89	16.92	16.30	22.0	28.8	32.7
	Nominal Capacity	TR	8.0	10.0	12.00	15.00	20.0	25.0	30.0
	EER 1	Btu/h/W	10.7	10.9	8.13	11.08	11.7	11.4	10.9
	Cooling Capacity (2) T3	Btu/h	87419	106152	121575	160610	219332	286210	317363
		kW	25.62	31.11	35.63	47.07	64.28	83.9	93.01
	Power Input (2)	kW	10.9	12.84	19.3	19.95	26.2	33.8	37.8
EER 2	Btu/h/W	8.0	8.27	6.3	8.1	8.5	8.5	8.3	
Performance	Evaporator Fan Air Flow	CFM	3500	3800	5000	6000	8000	9000	10000
	ESP	Pa	75	85	100	100	110	125	150
Evaporator Coil	Copper Tube / Aluminum Fins								
Evaporator fan	Type	Forward Curved Centrifugal							
	Quantity	1							
	Drive type	Belt							
	Motors quantity	1							
Compressor	Type	Scroll							
	Quantity	1				2			
	Brand	Danfoss / copeland							
Condenser Coil	Copper Tube / Aluminum Fins								
Condenser Fan	Type	Axial							
	Quantity	1				2			
	Drive type	Direct							
	Motors quantity	1				2			
Refrigerant	Type	R410A							
	Refrigerant Control	TXV							
Net weight(KG)	kg	440	537	550	785	585	1035	1185	

Notes:

The data are based on the following conditions:

Cooling and Power input :(1) Indoor Temperature 26.7°C(80°F) DB / 19.4°C(67°F) WB; - Outdoor Temperature 35°C(95°F) DB (T1).

2) Indoor Temperature 26.7°C(80°F) DB / 19.4°C(67°F) WB; - Outdoor Temperature 46.1°C(115°F) DB (T3).

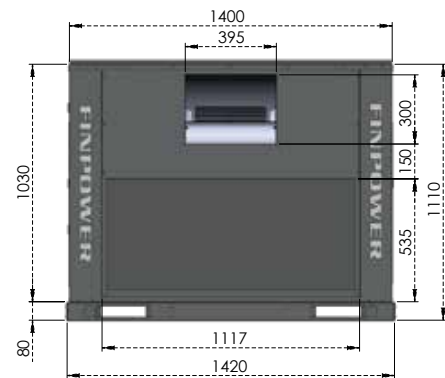
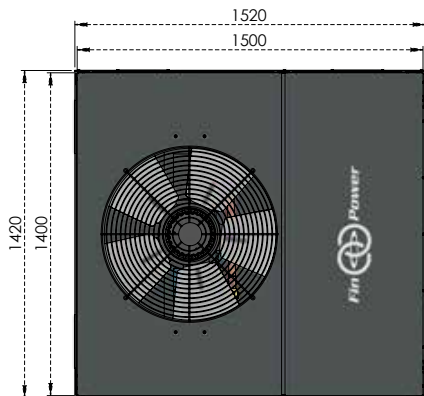
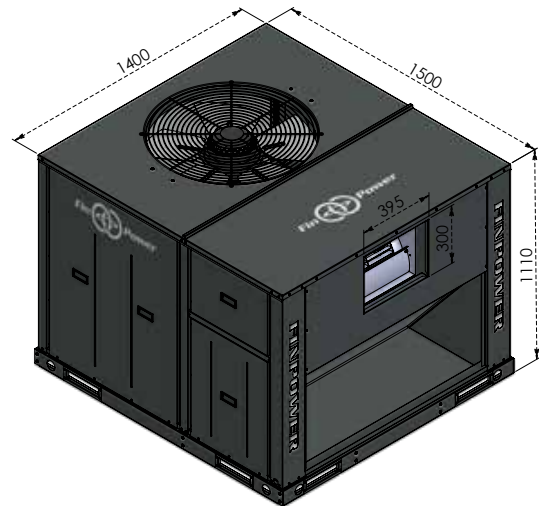
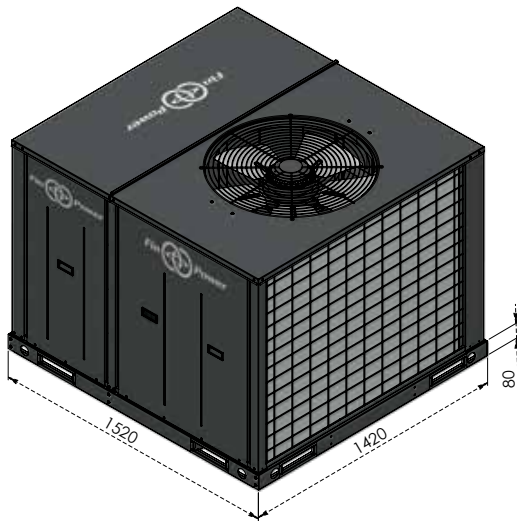
Based on the components used inside, unit weight may change. Kindly contact sales people for actual dimensional details and weight.

The performance mentioned above is estimated.

Finpower reserves the right to upgrade / change the data in the best interests.

Dimensional Data

JRS- 8, 10, 12, 15



* Dimensions shown in the picture is of model JRS-8C3ZF-SACF.

Model	Net size(WxHxD:mm)	Packing size(WxHxD:mm)	Net weight (kg)	Gross weight (kg)
JRS-8C3ZF-SACF	1520 x 1110 x 1420	1530 x 1120 x 1430	440	450
JRS-10C3ZF-SACF	1645 x 1212 x 1580	1655 x 1222 x 1590	537	535
JRS-12C3ZF-SACF	1645 x 1212 x 1580	1655 x 1222 x 1590	550	535
JRS-15C3ZF-SACF	1720 x 1262 x 1520	1730 x 1272 x 1530	760	795

Based on the components used inside, unit weight may change. Kindly contact sales people for actual dimensional details and weight.

